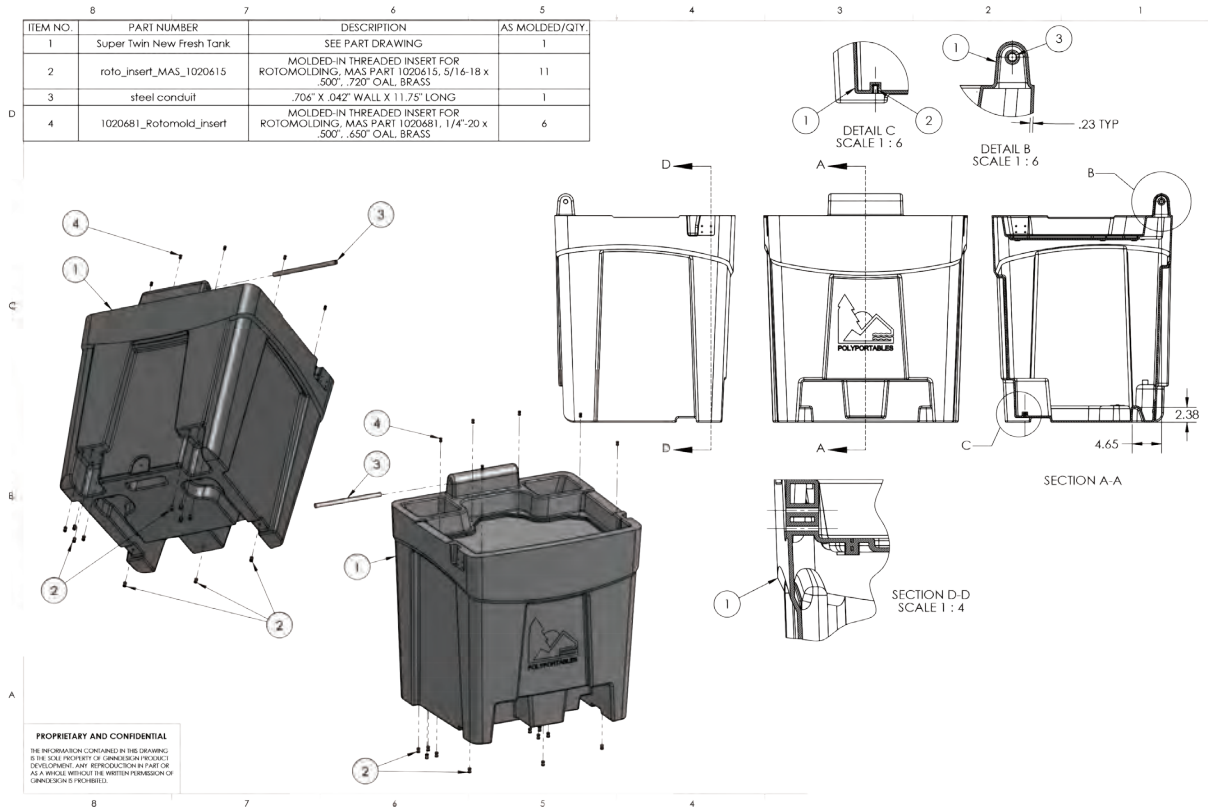




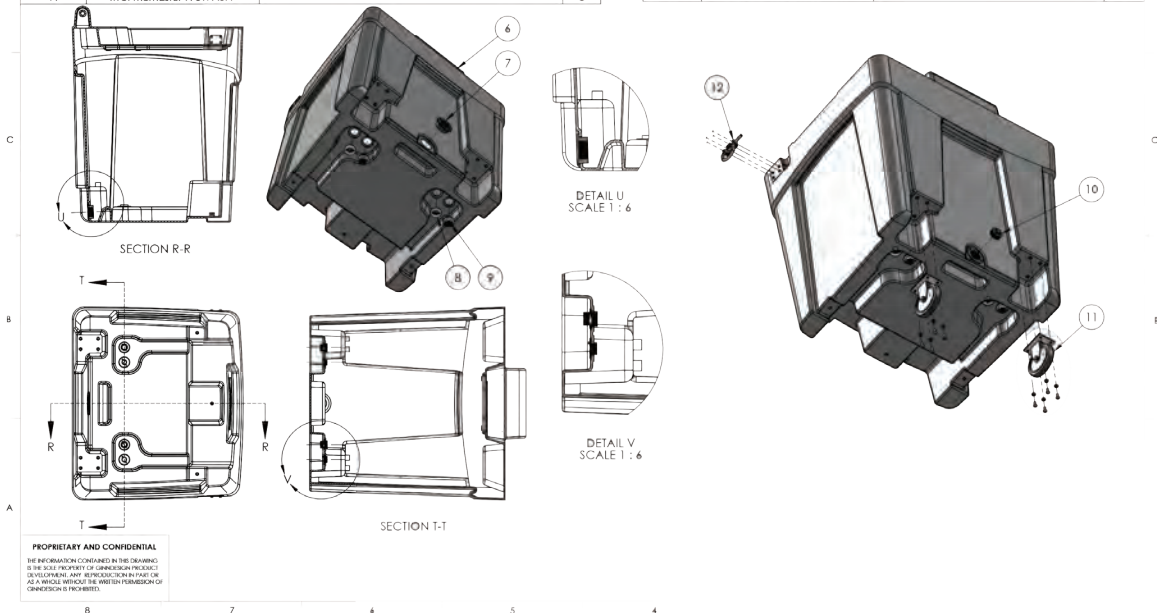
2019 parts catalog

SUPER TWIN HANDWASH STATION (POLYPORTABLES)



ITEM NO.	PART NUMBER	DESCRIPTION	QTY.
6	Super Twin New Fresh Tank	SEE PART DRAWING	1
7	cp55hd	SPIN WELD FITTING, 1-1/4" FLUSH HEAVY DUTY SWF, CUSTOM PLASTIC PART CP-55HD SWF, BLACK	1
8	cp83	SPIN WELD FITTING, 1/2" PPT FLUSH SWF, CUSTOM PLASTIC PART CP-83 SWF, NATURAL	2
9	cp53dt	SPIN WELD FITTING, 1/2" DOUBLE ENDED THREAD SWF, CUSTOM PLASTIC PART CP-53DT SWF, NATURAL	2
10	latch rivet plate		2
11	rivet mcmaster 97517A077		8

ITEM NO.	PART NUMBER	DESCRIPTION	QTY.
10	2389K761	1-1/4" MNPT PLUG, BLACK HDPE, CUSTOM PLASTICS PART P10258	1
11	caster - Caster Warehouse WC345BR-01-HR with hardware	INCLUDES (4) SOCKET BUTTON HEAD 5/16-18 X 3/4", 316 STAINLESS STEEL AND 2 1/8" LOCK WASHER, 316 STAINLESS STEEL	2
12	bolt latch SierraPacific-1445	CUSTOM VERSION PER QUOTE 286191	2
13	latch rivet plate		2
14	rivet mcmaster 97517A077		8



SUPER TWIN SPECIFICATIONS

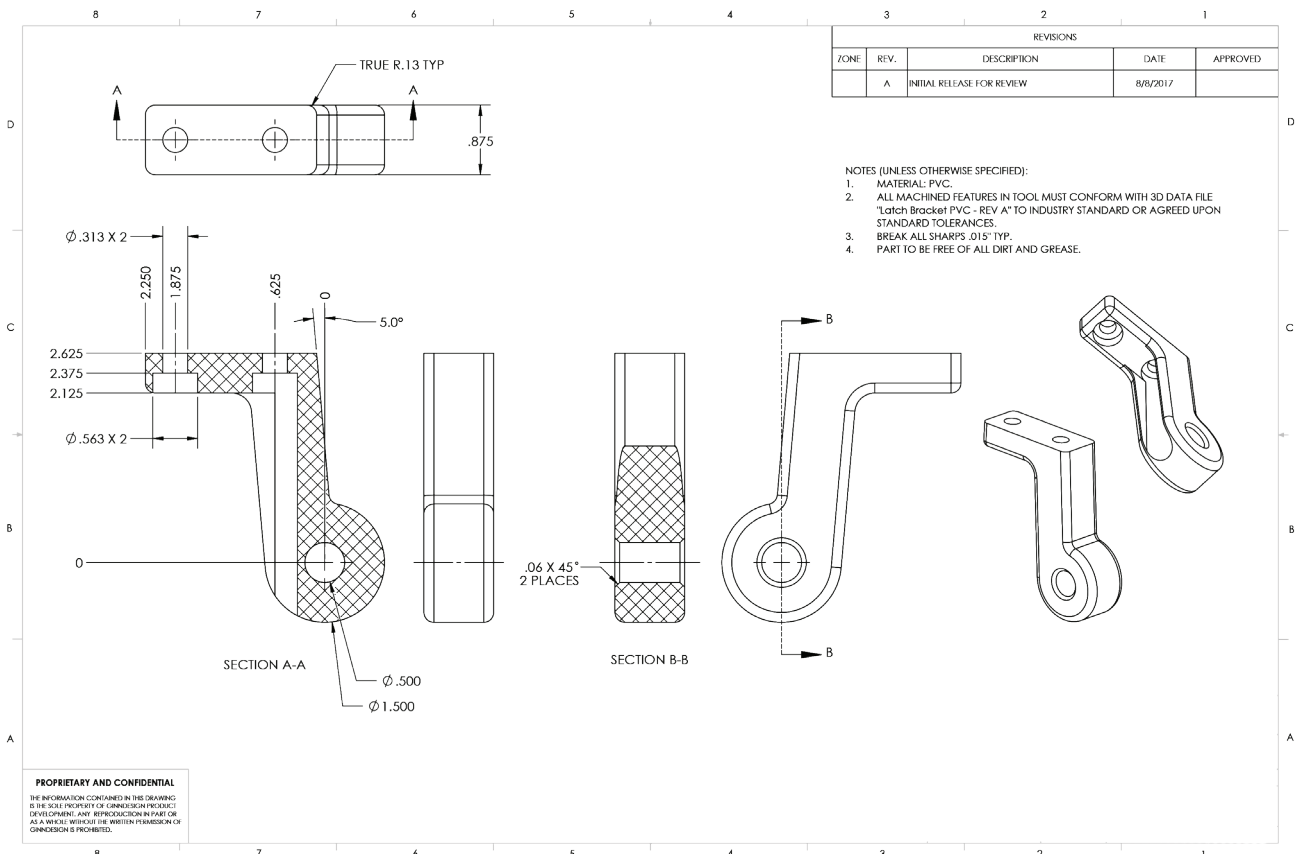
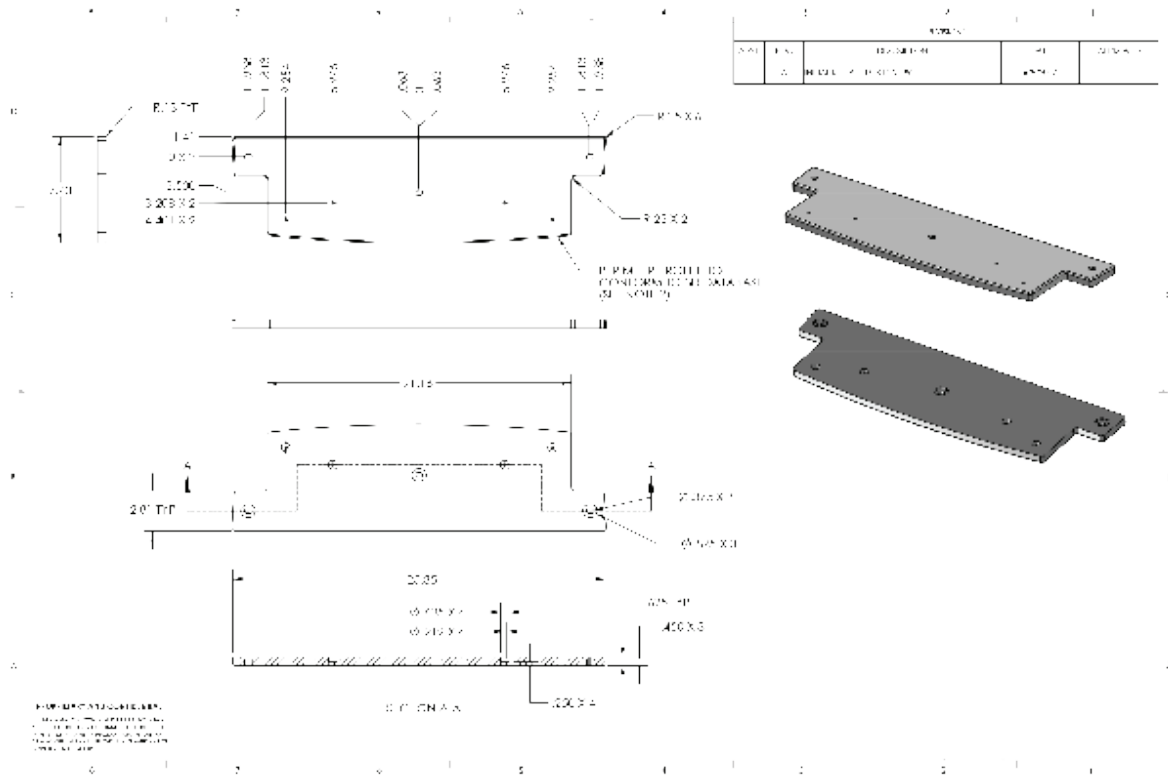
HEIGHT: 47.75" (1210MM)

LENGTH: 34" (860MM)

WEIGHT: 120 lbs (54.43kg)

WIDTH: 30.25" (770MM)

SUPER TWIN HANDWASH STATION (POLYPORTABLES)



Can't Sleep?

Shop Online and Save 5%



satelliteindustries.com



Regional Managers & Territories



Northwest

John Sprenger

763-519-6544

johns@satelliteindustries.com



Northeast

Josh Carmichael

574-350-2162

joshuac@satelliteindustries.com



South Central

Matt McClure

763-519-6521

mmclure@satelliteindustries.com



Southwest

Tim White

763-519-6543

timw@satelliteindustries.com



Southeast

Gordy Hunt

763-519-6520

ghunt@satelliteindustries.com



Texas

Ryan Foley

763-519-6526

ryanf@satelliteindustries.com



West

Bryan Lowe

763-519-6540

blowe@satelliteindustries.com



North Central

Mark Elhardt

763-551-7230

marke@satelliteindustries.com



Québec

Adrian Tummel

+32/2-542-56-55

adriant@satelliteindustries.com



Mountain

Jeff Sprenger

763-519-6527

jsprenger@satelliteindustries.com



Great Lakes

Paul Jongert

763-519-6546

paulj@satelliteindustries.com

Strategic Account Manager

Ryan Anthony

763-519-6548

ryana@satelliteindustries.com

Online Ordering

satelliteindustries.com | safetfresh.com

Customer Service

Restrooms: 800-883-1123 | Fax: 800-328-3334
Safe-T-Fresh: 877-764-7297 | information@satelliteindustries.com