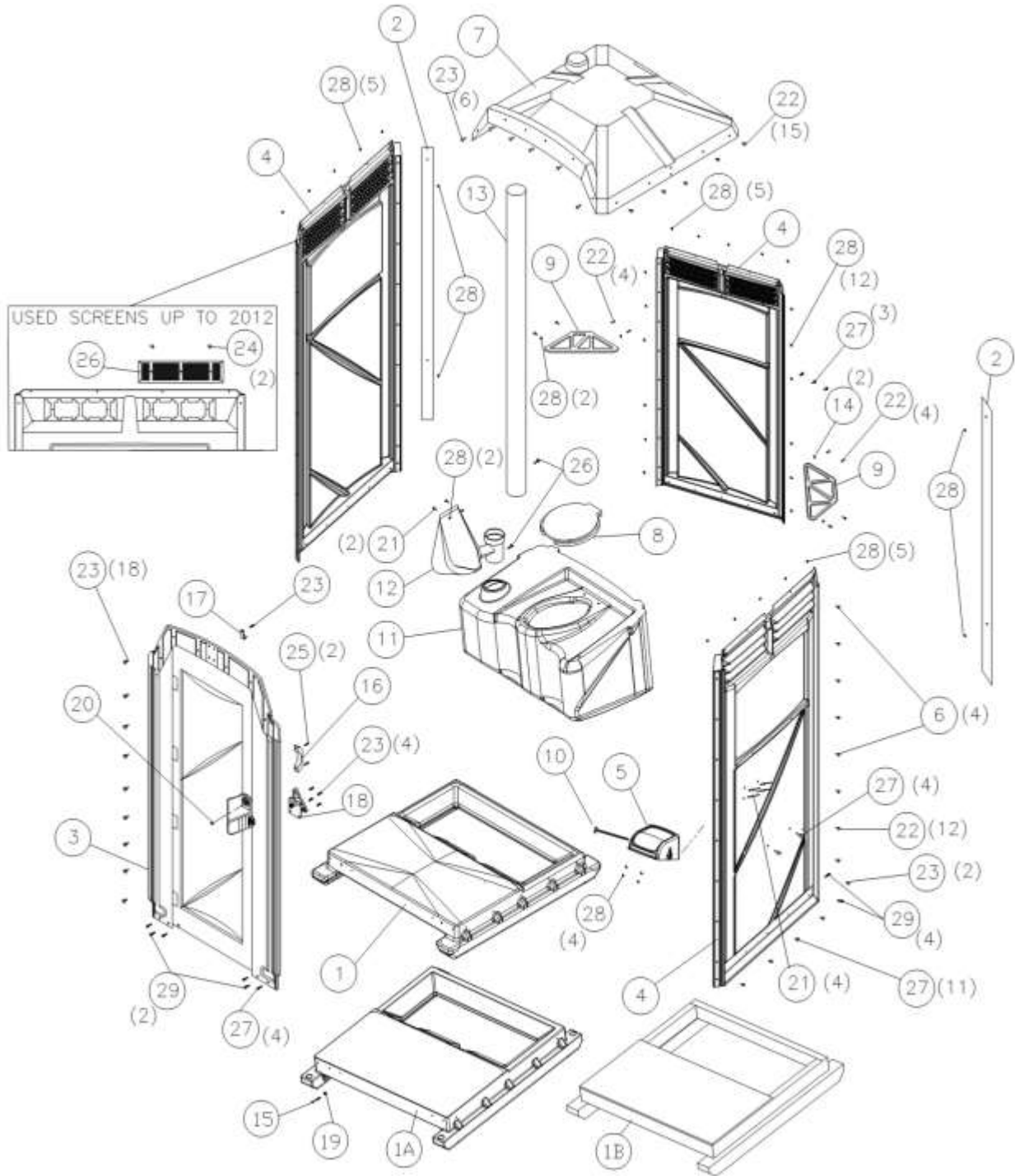


MAXIM 2000®II MAJOR ASSEMBLY



CUSTOM COLORS (QTY 300 – 4 TO 6 WEEKS LEAD TIME FROM ORDER RELEASE)
 CONTACT AREA MANAGERS FOR PRICING

Visa / Mastercard / American Express / Discover
 \$25.00 Minimum Order — Prices and quantities subject to change / all prices are FOB FACTORY — Priced in U.S. Dollars
 20% minimum restocking charge applies on returns

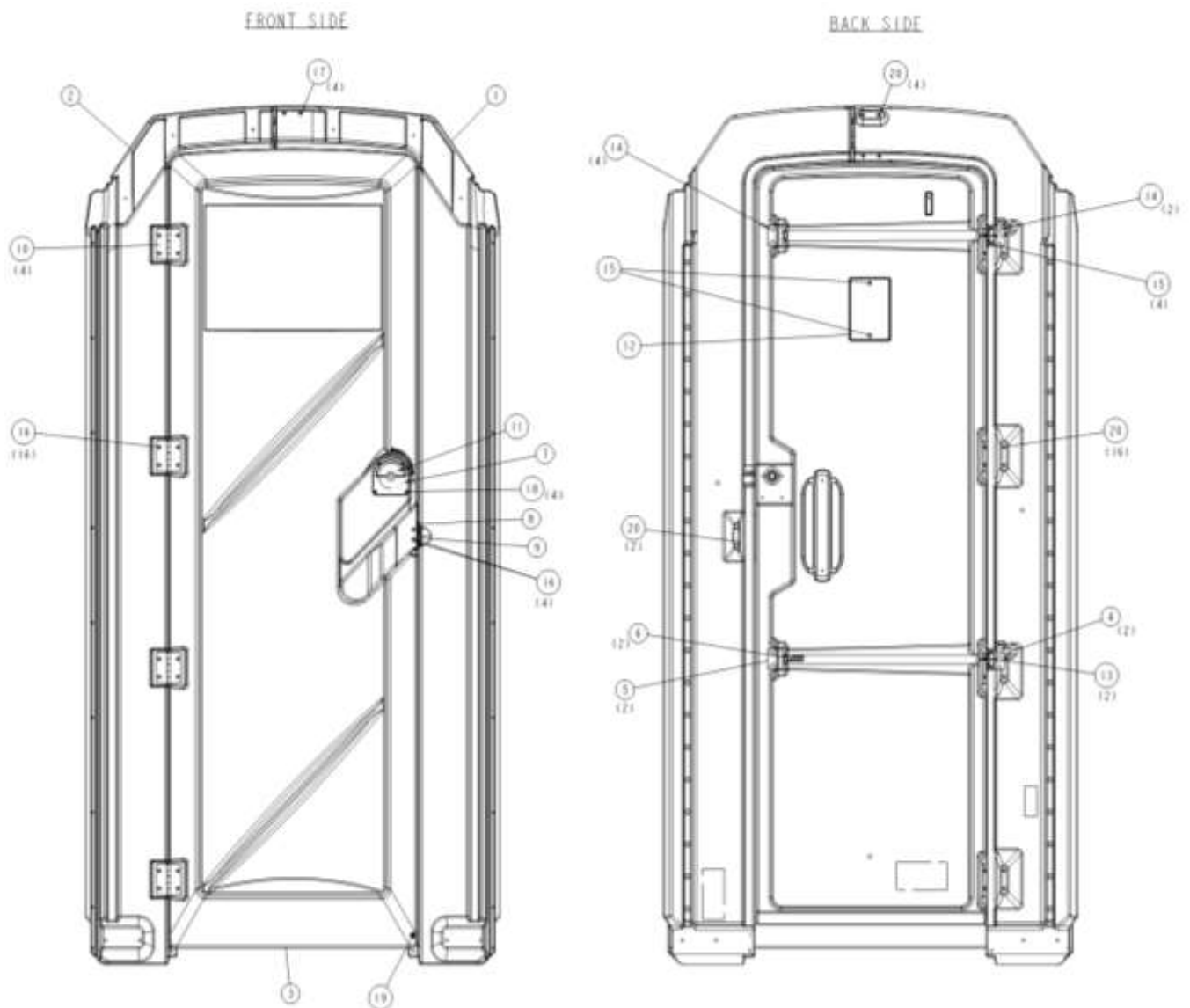
MAXIM 2000®II MAJOR ASSEMBLY

REV Z ITEM #	PART#	QTY PER UNIT	DESCRIPTION	PRICE EACH
1	22234	1	BASE- BLOWMOLDED Bolt/w washer may be needed item#22384 (6 per base)	
1A	19014	1	BASE- TUFWAY ROTOMOLDED Discontinued	
1B	15852	1	BASE- TUFWAY/MX2 RECYCLED PLST Discontinued	
2**	MTO	2	CORNER COVER- DRILLED	
3**	MTO	1	FRONT ASSY- MAXIM 2000 II	
4**	MTO	3	PANEL- MAXIM 2000 II	
	16202	1	HDWE- MX2 II	
5	22209	1	HOOD- PAPERGRD 3 ROLL DGRY	
	17037	1	KIT- PAPERGRD 2 ROLL EXP RVT	
	22336	1	KIT- PAPERGRD II 3 ROLL EXP RVT	
	19408	1	KIT- PAPERGRD 4 ROLL VERTICAL	
6	18798	4	RIVET- #616 AAL POP	
7	16167	1	ROOF- MX2 II	
8	14959	1	SEAT- ELONG MX2/MX3/TRS/HT (GB BLK OLD TANKS PRE-05-11)	
	19196	1	KIT- T/SEAT 2-1/2 BOLT/NUT SET	
9	16075	2	SHELF- MX2 & TUFWAY (KIT# 17371)	
10	16844	1	SPINDLE- PAPERGUARD 2 ROLL METAL	
	12642	1	SPINDLE- PAPERGUARD 2 ROLL WOOD	
	22310	1	SPINDLE- PRGRD II 3 ROLL METAL	
	18696	1	SPINDLE- PAPERGUARD 3 ROLL WOOD	
11	14765	1	TANK- MX2 GREY	
12	14119	1	URINAL- STANDOVER DGRY	
13	14133	1	VENT PIPE- 4 X 62-1/2 GREY	
14*	11315	2	WASHER- 3/16 RIVET STNLS	
	16202	1	HDWE- MX2	
15*	13173	1	BOLT- 5/16 X 3in HWHD (FOR RECYCLED & ROTO BASES)	
16	16807	1	HANDLE- PLASTIC HOVER (Late 2017 to Present)	
	13279	1	HANDLE- DOOR (Late 2017 & Prier)	
17	10891	1	HOOK- FLAT COAT STNLS	
18	14767	1	LATCH- RESTROOM PLASTIC	
19*	18191	1	NUT- 5/16 SERRATED FLANGE	
20	10161	1	PLUG- 1/2 INDICATOR BLACK PLST	
21*	11054	6	RIVET- #68 AAL POP	
22*	11030	35	RIVET- #66 AAL POP	
23*	14427	31	RIVET- #66 LSH W/LOCK MANDREL	
24*	15337	12	RIVET- .195in PLASTIC EXPANDNG	
25*	17030	2	RIVET- AVDEL BLACK	
26	14112	6	SCREEN- 3.8 X 15.25 PLSTC VENT	
27*	13860	29	SCREW- #14 X 1-1/2 W/WSH GOLD	
28*	11315	39	WASHER- 3/16 RIVET STNLS	
29	22384	6	BOLT-1/4-20X1-1/4 DOG PNT WSH	
	15057	1	KIT- MX2 WESTERN LIFT	
	16186	1	INSTRUCTIONS- MAXIM 2000 II (NOT SHOWN)	

* ONLY SOLD IN MULTIPLES OF100

** AVAILABLE LIMITED - CALL

MAXIM 2000® II FRONT ASSEMBLY



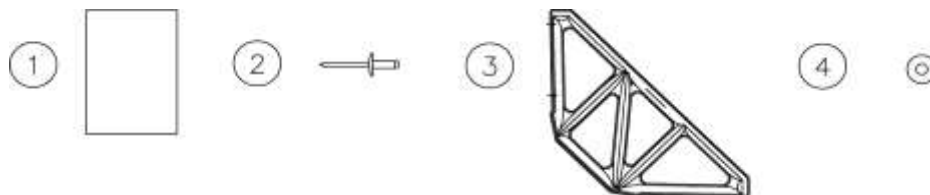
Visa / Mastercard / American Express / Discover
 \$25.00 Minimum Order — Prices and quantities subject to change / all prices are FOB FACTORY — Priced in U.S. Dollars
 20% minimum restocking charge applies on returns

MAXIM 2000® II FRONT ASSEMBLY

REV L ITEM #	PART#	QTY PER UNIT	DESCRIPTION	PRICE EACH
1		1	FACING- MAX2 HASP	NOT SALEABLE
2		1	FACING- MAX2 HINGE	NOT SALEABLE
3		1	DOOR- MAX2 II	NOT SALEABLE
4	14770	2	BRACKET- MAXIM CABLE ANCHOR	
5	10511	2	BRACKET- SPRING ANCHOR TUFWAY	
6	14649	2	CLOSURE ASSY- DOOR MX2/TM II	
7	13415	1	COVER- INDICATOR BLACK	
8	13199	1	HASP, 3/16" RIVET HOLE FACING (L Shaped)	
9	15059	1	HASP- FLAT 1-3/4in LONG	
10	13266	4	HINGE, DOOR STNLS ROUND CORNER	
11	15630	1	INDICATOR- UNIVERSAL DGRY	
12	14474	1	MIRROR- 4 X 6 STNLS STEEL	
13*	14803	2	PLUG- 3/8 HOLE	
14*	18755	6	RIVET- AVDEL SILVER LONG	
15*	12393	6	RIVET- #64 AAP POP	
16*	11270	20	RIVET- #68 STNLS	
17*	10812	4	RIVET- #612 ALUM	
18	10804	4	SCREW- #8 X 3/4 PHPN TAP	
19*	12007	1	SCREW- #10 X 1-1/4 PN PH TAP	
20*	11315	22	WASHER- 3/16 RIVET STNLS	
	14198	1	KIT- LATCH & INDICATOR	
	15391	1	KIT- PLASTIC DOOR LATCH	
	13726	1	KIT- UNIVERSAL INDICATOR	

* ONLY SOLD IN MULTIPLES OF100

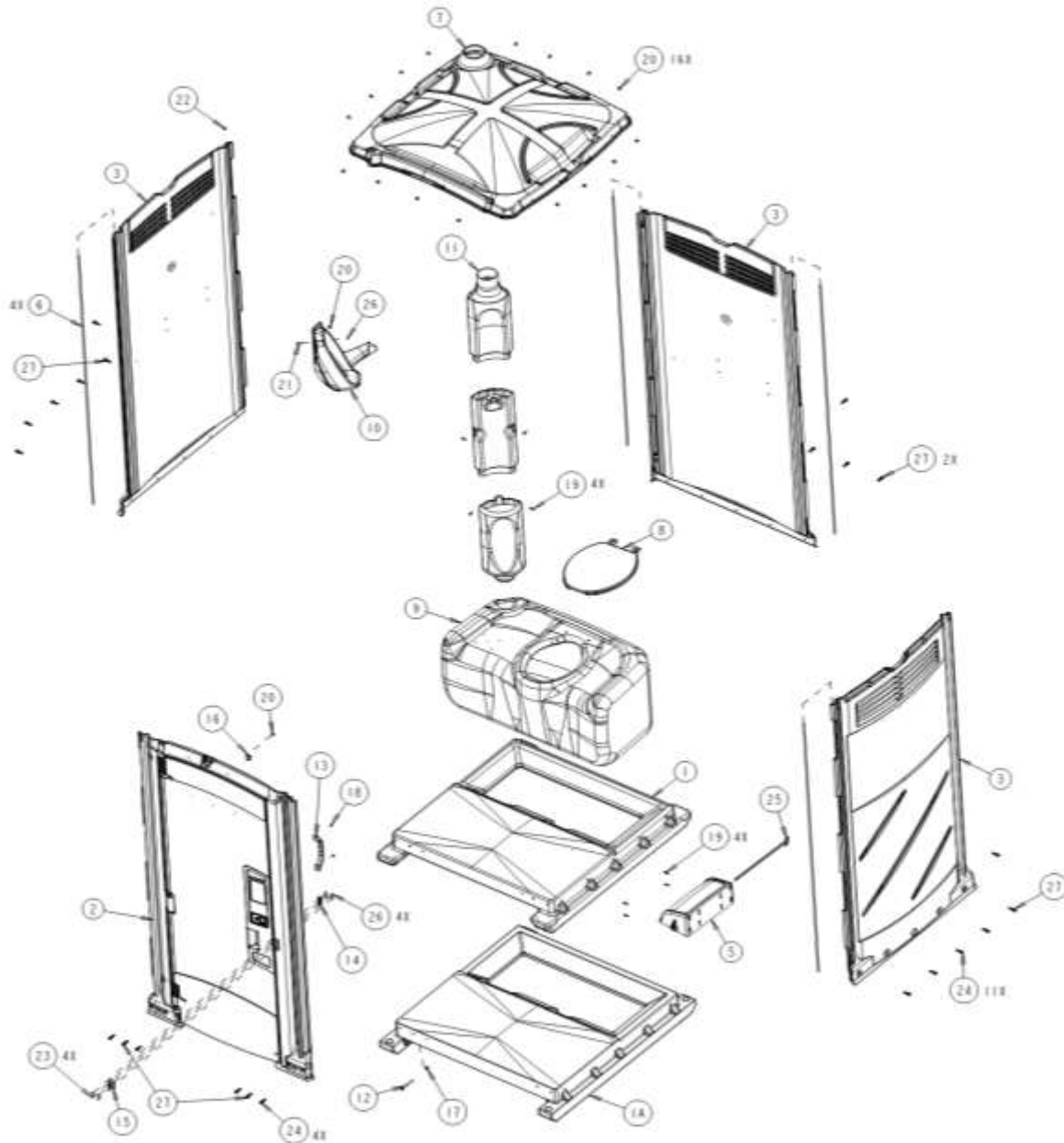
MAXIM 2000® II SHELF KIT



REV C ITEM #	PART#	QTY PER UNIT	DESCRIPTION	PRICE EACH
	17371		KIT- MAXIM II / TUFWAY SHELF	
1	17455		INSTRUCTIONS - SHELF	
2*	11030	4	RIVET- #66 AAL POP	
3	16075	1	SHELF- MX2 & TUFWAY	
4*	11315	2	WASHER- 3/16 RIVET STNLS	

* ONLY SOLD IN MULTIPLES OF100

MAXIM 3000 II® MAJOR ASSEMBLY



MAXIM 3000® COLOR CHART

	TEAL	ROYAL BLUE	SAND	FOREST GREEN	GRANITE	GREY DOOR & VIP ONLY
DOOR ASSY PART#	22184	22182	22183	22180	22181	22187
PANEL ASSY PART#	22179	22177	22178	22175	22176	22188

Visa / Mastercard / American Express / Discover
 \$25.00 Minimum Order — Prices and quantities subject to change / all prices are FOB FACTORY — Priced in U.S. Dollars
 20% minimum restocking charge applies on returns

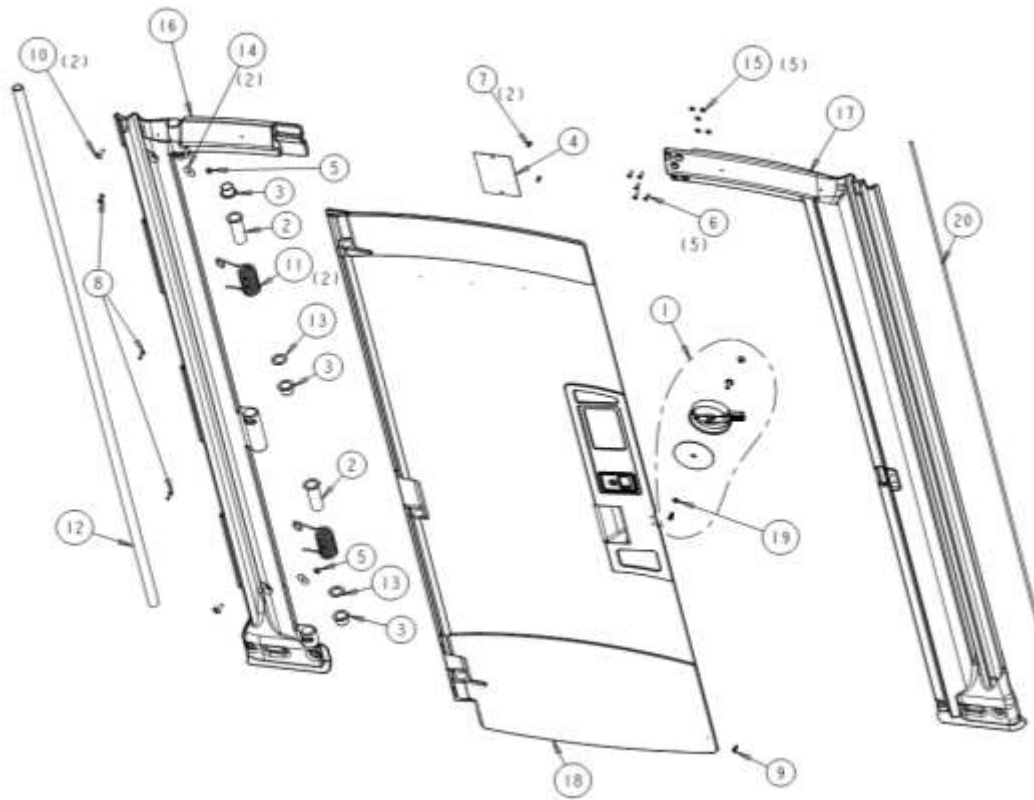
MAXIM 3000 II® MAJOR ASSEMBLY

REV B ITEM #	PART#	QTY PER UNIT	DESCRIPTION	PRICE EACH
1	22234	1	BASE- BLOWMOLDED Bolt/w washer may be needed item#22384 (6 per base)	
1A	19014	1	BASE- TUFWAY ROTOMOLDED Discontinued	
2	SEE CHART	1	MAXIM 3000 II FRT ASSY	
3	SEE CHART	3	MAXIM 3000 II PANEL	
	22204	1	HDWE – MAXIM 3000 II	
5	22209	1	HOOD- PAPERGRD 3 ROLL DGRY	
6	18681	4	ROD- FIBERGLASS 72	
7	22191	1	ROOF- MAXIM 3000 II NATURAL	
8	14959	1	SEAT- ELONG MX2/MX3/TRS/HT BLK	
9	22192	1	TANK- MAXIM 3000 II DGRY	
10	22193	1	URINAL- MAXIM 3000 II DGRY	
11	22194	1	VENT PIPE- MAXIM 3000 II 3PC	
12	13173	1	BOLT- 5/16 X 3-1/2 HWHD	
13	16807	1	HANDLE- PLASTIC HOVER	
14	13197	1	HASP- 3/16 RIVET HOLE DOOR	
15	13199	1	HASP- 3/16 RIVET HOLE FACING	
16	10891	1	HOOK- FLAT COAT STNLS	
17*	18191	1	NUT- 5/16 SERRATED FLANGE	
18*	17030	2	RIVET- AVDEL BLACK	
19	18543	8	RIVET- 3/16 T PEEL	
20*	22199	18	RIVET- 3/16 TRIFIX ALUM LF	
21*	11024	1	RIVET- #610 AAP	
22*	10812	1	RIVET- #612 ALUM	
23*	11270	4	RIVET- #68 STNLS	
24*	13860	25	SCREW- #14 X 1-1/2 W/WSH GOLD	
25	22310	1	SPINDLE- PRGRD II 3 ROLL METAL	
26*	11315	6	WASHER- 3/16 RIVET STNLS	
27	22384	6	BOLT-1/4-20X1-1/4 DOG PNT WSH	
	22336	1	KIT- PAPERGRD II 3ROLL EXP RVT	

* ONLY SOLD IN MULTIPLES OF 100

MAXIM 3000® II FRONT ASSEMBLY

August 2016



REV G ITEM#	PART#	QTY PER UNIT	DESCRIPTION	PRICE EACH
		1	DOOR ASSY – MX3	NOT SALEABLE
1	17168	1	KIT- MX3 LATCH REPLACEMENT	
2	22190	2	BUSHING- MAXIM 3000 II DR SPRG	
3	22196	3	BUSHING- MAXIM 3000 II DR TUBE	
4	14474	1	MIRROR- 4 X 6 STNLS STEEL	
5*	20840	2	NUT- 5/16-18 NYLOC STNLS	
6*	22207	5	RIVET- #68 AAP POP	
7*	11027	2	RIVET- #66 ALUM	
8*	17436	3	RIVET- AVDEL SILVER	
9*	10122	1	SCREW- #10 X 3/4 PHPN TAP PLTD	
10	16808	2	SCREW- 5/16-18 X 7/8 TORX	
11	22197	2	SPRING- MAXIM 3000 II DR TORS	
12	22198	1	TUBE- MAXIM 3000 II DOOR 1x77	
13*	17130	2	WASHER- 1in ID NYLON	
14*	22206	2	WASHER- 5/16 ID FENDER STNLS	
15*	11315	5	WASHER- 3/16 RIVET STNLS	
16		1	DESIGN MAXIM 3000 II HINGE FACING	NOT SALEABLE
17		1	DESIGN MAXIM 3000 II HASP FACING	NOT SALEABLE
18		1	DESIGN MAXIM 3000 II DOOR	NOT SALEABLE
19*	22326	1	WASHER- 1/2 FLAT STNLS	
20	18681	1	ROD- FIBERGLASS 72	

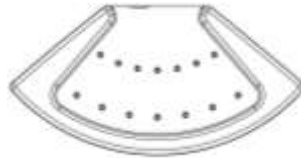
ONLY SOLD IN MULTIPLES OF 100

MAXIM 3000® MIRROR



REV F ITEM #	PART#	QTY PER UNIT	DESCRIPTION	PRICE EACH
	17378	1	KIT- MIRROR 4 X 6 STNLS	

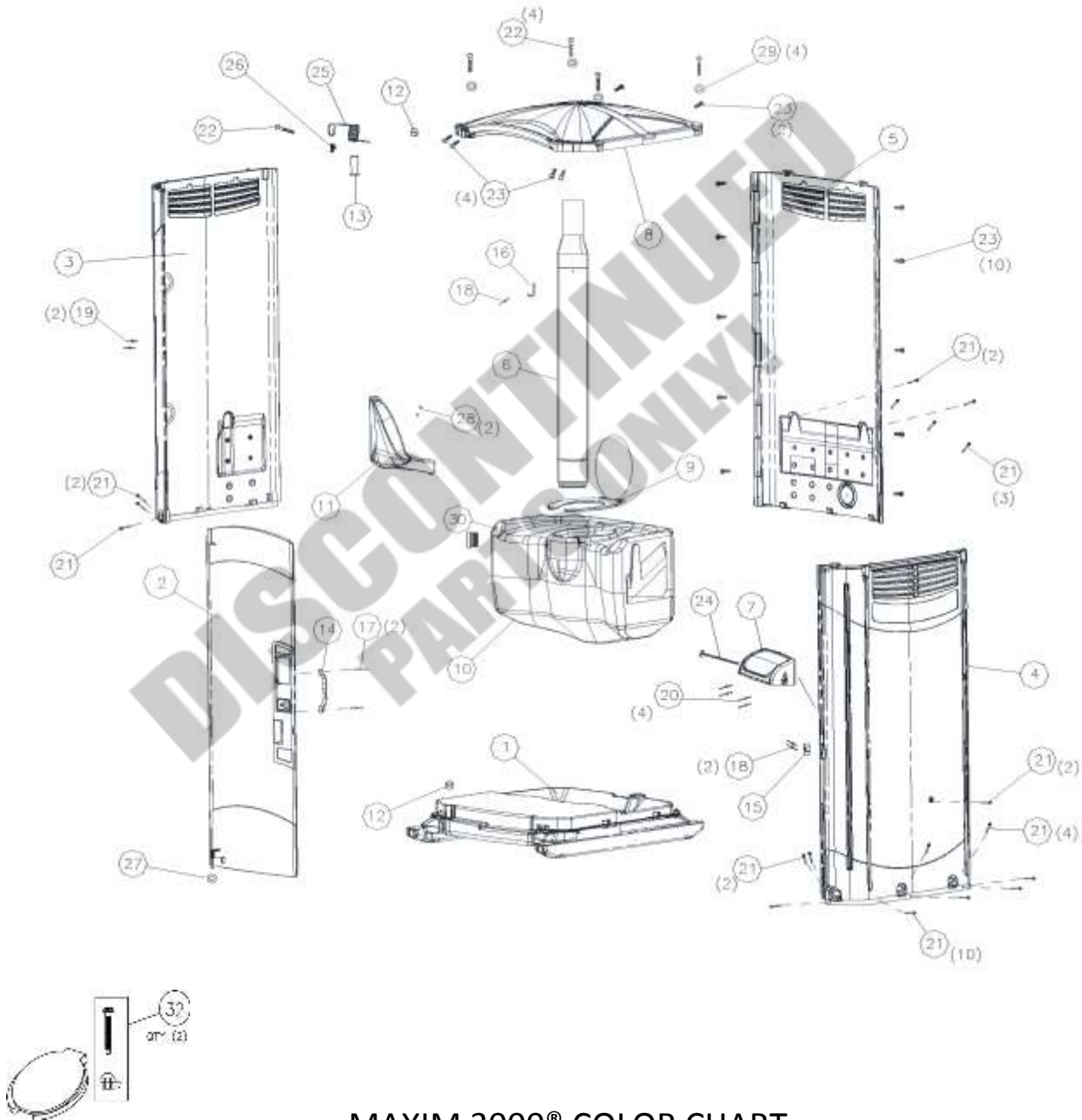
MAXIM 3000® II SHELF



REV A ITEM #	PART#	QTY PER UNIT	DESCRIPTION	PRICE EACH
	22344	1	KIT- MAXIM 3000 II SHELF	

MAXIM 3000® MAJOR ASSEMBLY

Discontinued



MAXIM 3000® COLOR CHART

	TEAL	ROYAL BLUE	SAND	FOREST GREEN	GRANITE	GREY DOOR & VIP ONLY
DOOR ASSY PART#	17594	17592	17593	17589	17591	17590
RIGHT PANEL ASSY PART#	17609	17607	17608	17605	17606	21202
LEFT PANEL ASSY PART#	17599	17597	17598	17595	17596	21201
REAR PANEL ASSY PART#	17604	17602	17603	17600	17601	21203
VENT PIPE PART#	19063	19061	19062	19058	19060	19059

Visa / Mastercard / American Express / Discover
 \$25.00 Minimum Order — Prices and quantities subject to change / all prices are FOB FACTORY — Priced in U.S. Dollars
 20% minimum restocking charge applies on returns

MAXIM 3000® MAJOR ASSEMBLY

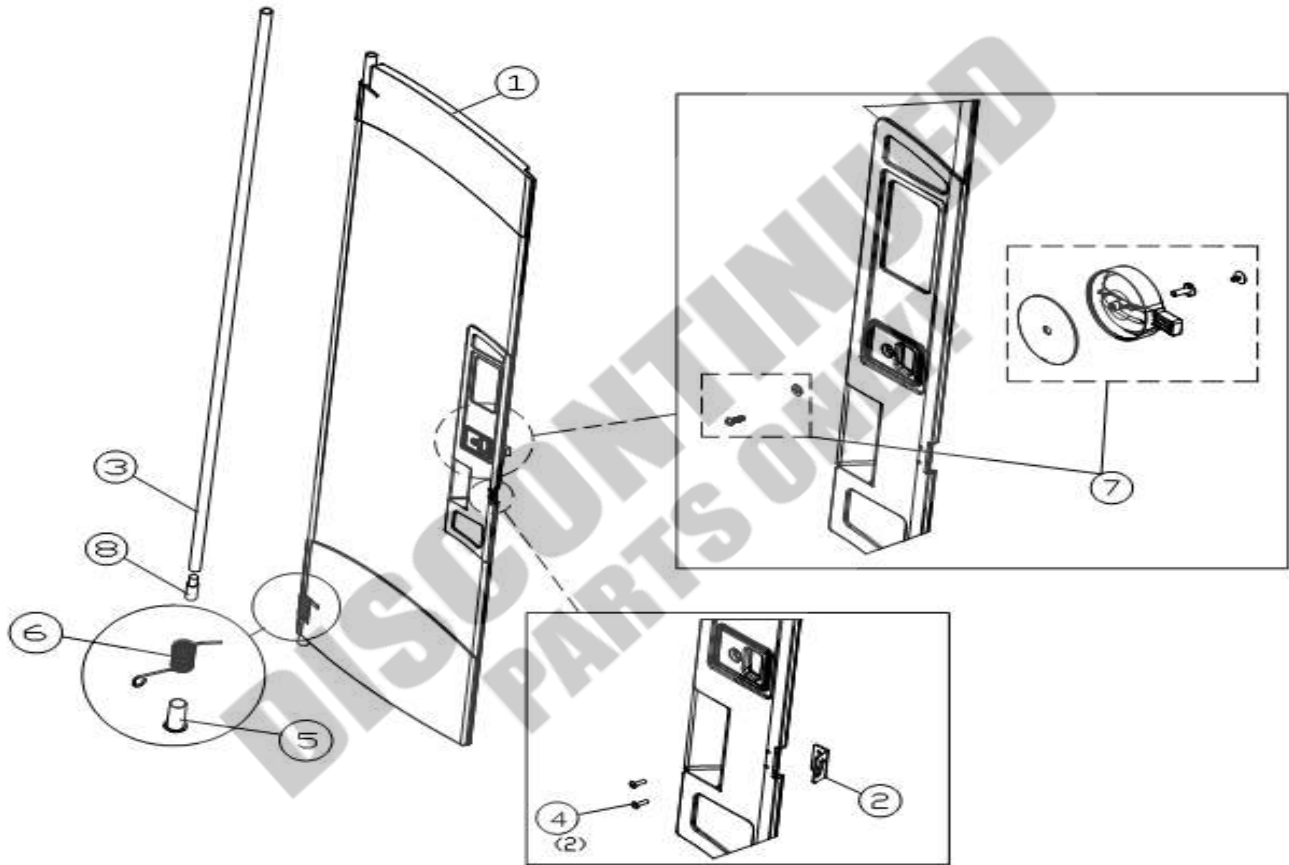
REV Q ITEM #	PART#	QTY PER UNIT	DESCRIPTION	PRICE EACH
1	19015	1	BASE- MAX3000 ROTOMOLDED Discontinued	NOT SALEABLE
	22234	1	BASE- BLOWMOLDED Bolt/w washer may be needed item#22384 (6 per base)	
2	SEE CHART	1	DOOR ASSY MAX3000A	
3	SEE CHART	1	PANEL ASSY- MAX3000A LEFT	
4	SEE CHART	1	PANEL ASSY- MAX3000A RIGHT	
5	SEE CHART	1	PANEL ASSY- MAX3000A REAR	
6	SEE CHART	1	VENT PIPE- MAX3000B (ROUND)	
	17659	1	HDWE- MAX3000A	
7	17082	1	HOOD- PAPERGUARD II GREY	
	22209	1	HOOD- PAPERGRD 3 ROLL DGRY	
	17037	1	KIT- PAPERGRD 2 ROLL EXPAN RVT	
	22336	1	KIT- PAPERGRD II 3 ROLL EXP RVT	
	19408	1	KIT- PAPERGRD 4 ROLL VERTICALS	
8	19049	1	ROOF-MX3 ROUND VENT HOLE (ADAPTER KIT 19103)	
9	14959	1	SEAT- ELONG MX2/MX3/TRS/HT (GB BLK OLD TANKS PRE-05-11)	
32	19196	1	KIT- T/SEAT 2-1/2 BOLT/NUT SET	
10	16690	1	TANK- MX3	
11	16794	1	URINAL- MAX3000	
	17659	1	HDWE MAX3000A	
12	17617	2	BUSHING- MX3 DOOR 1.25 DGRY	
	16831	2	BUSHING- MX3 DOOR PVT 3/4 DGRY (PRIOR TO 2002)	
13	16832	1	BUSHING- MX3 DOOR SPRING	
14	16807	1	HANDLE- MX3 PLASTIC	
15	16839	1	HASP- FLAT 2-1/2in LONG	
16	10891	1	HOOK- FLAT COAT STNLS	
17*	17030	2	RIVET- AVDEL BLACK	
18*	17436	3	RIVET- AVDEL SILVER	
19*	11027	2	RIVET- #66 ALUM	
20*	18543	4	RIVET- 3/16 T PEEL	
21*	13860	25	SCREW- #14 X 1-1/2 W/WSH GOLD	
22	16809	5	SCREW- 5/16-18 X 1-1/2 TORX	
23	16808	16	SCREW- 5/16-18 X 7/8 TORX	
24	16844	1	SPINDLE- PAPERGRD 2 ROLL METAL	
	12642	1	SPINDLE- PAPERGRD 2 ROLL WOOD	
	22310	1	SPINDLE- PRGRD II 3 ROLL METAL	
	18696	1	SPINDLE- PAPERGRD 3 ROLL WOOD	
25	17627	1	SPRING- MX3A DOOR UPPER (Heavy #16872)	
26*	14880	1	U-NUT- 5/16-18	
27	17130	1	WASHER- 1in ID NYLON	
28*	11315	2	WASHER- 3/16 RIVET STNLS	
29*	17626	4	WASHER- 5/16 RUBBER CLAD	
31	17224	1	PLUG- 1-5/8 ROUND HOLE (URINAL)	
	22217	1	INSERT- REPAIR MX3 DOOR TUBE	

* ONLY SOLD IN MULTIPLES OF 100

Consult your Area Manager at:
 Tel: 1-800-883-1123 (US & Canada) Fax: 1-800-328-3334 (US & Canada) Español: 1-877-452-1187
 Website: www.satelliteindustries.com

MAXIM 3000® FRONT ASSEMBLY

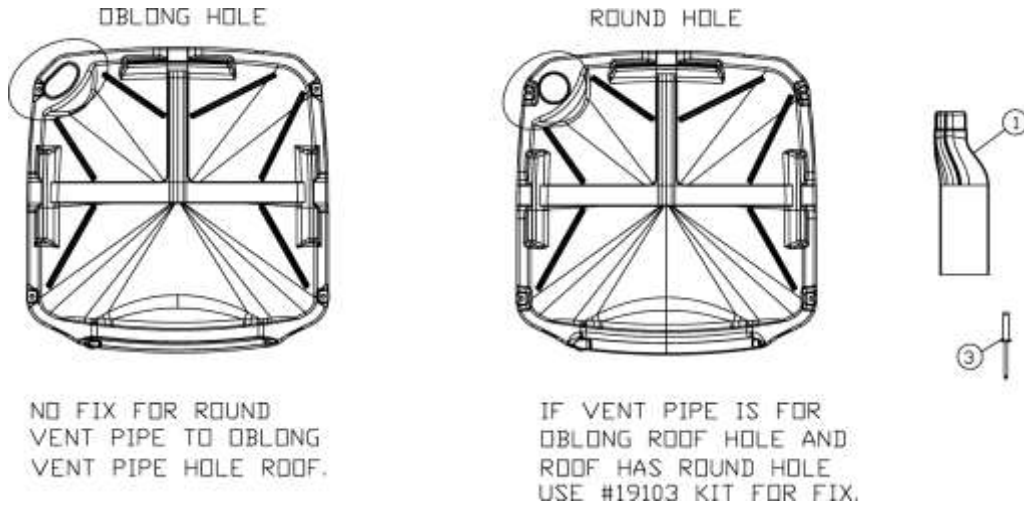
Discontinued



REV G ITEM#	PART#	QTY PER UNIT	DESCRIPTION	PRICE EACH
1		1	DOOR ASSY- MX3	
2	16838	1	HASP- ANGLED 1-3/4 LONG	
3	16830	1	TUBE- 1 X 79-5/8 (will need item# 22217)	
	22431	1	KIT- TUBE MX3 DOOR W/INSERT	
4*	11270	2	RIVET- #68 STNLS	
5	16832	1	BUSHING- MX3 DOOR SPRING	
6	17621	1	SPRING- MX3A DOOR LOWER	
7	17168	1	KIT- MX3 LATCH REPLACEMENT	
8	22217	1	INSERT- REPAIR MX3 DOOR TUBE (used with item# 16830 only)	

ONLY SOLD IN MULTIPLES OF 100*

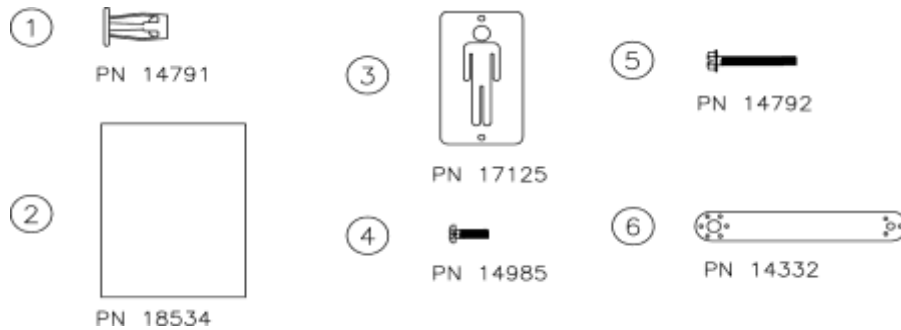
MAXIM 3000® VENT PIPE ADAPTER



REV B ITEM#	PART#	QTY PER UNIT	DESCRIPTION	PRICE EACH
	19103	1	KIT- MX3 VENT PIPE ADAPTER	
1		1	ADAPTER- MX3 VENT PIPE GREY	
3*	17436	2	RIVET- AVDEL SILVER	
	19105	1	INSTRUCTIONS- MX3 VP ADAPTER (NOT SHOWN)	

* ONLY SOLD IN MULTIPLES OF100

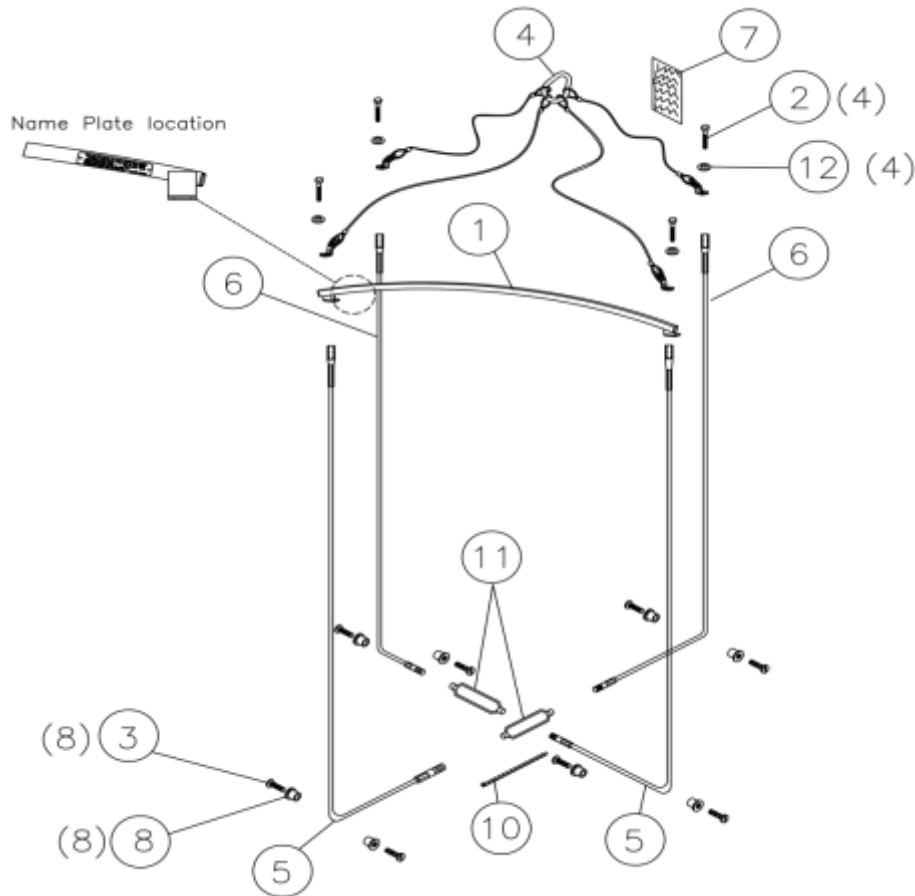
MAXIM 3000® GENDER INDICATOR



REV D ITEM #	PART#	QTY PER UNIT	DESCRIPTION	PRICE EACH
	17381	1	KIT- GENDER INDICATOR	
1	14791		INSERT- #10-24 JACK NUT	
2	18534		INSTRUCTION- GENDER INDICATOR	
3	17125		PLATE- GENDER INDICATOR (MALE/FEMALE)	
4	14985		SCREW- #10-24 X 5/8 STNLS PHPN	
5	14792		SCREW- #10-24 X 1 HEX PLTD	
6	14332		WRENCH- JACK NUT	

* ONLY SOLD IN MULTIPLES OF100

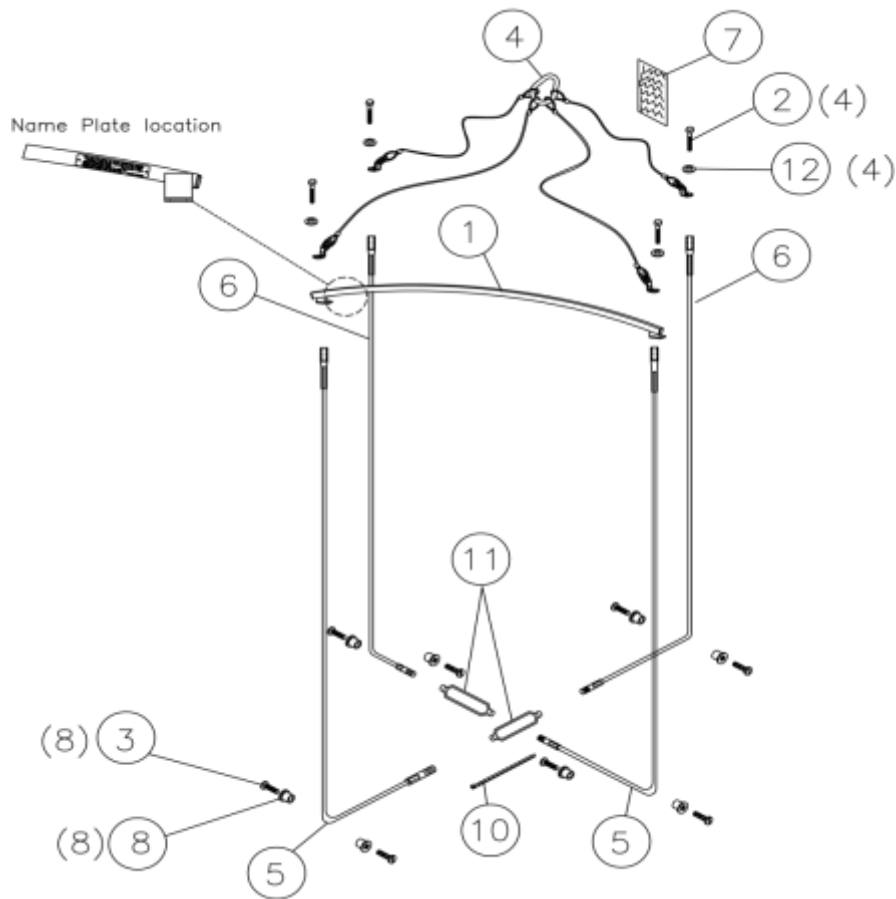
MAXIM 3000® WET LIFT KIT



REV F ITEM #	PART#	QTY PER UNIT	DESCRIPTION	PRICE EACH
	17151	1	KIT- MX3 WET LIFT	
1	17159	1	BAR- MAX3000 WET LIFT SPREADER	
2	17150	4	BOLT- 5/16-18 X 2-1/2 PLTD HEX	
3*	13216	8	BOLT- 1/4-20 X 3/4 SLOT PNHD	
4	17148	1	CABLE ASSY- WET LIFT	
5	17153	2	CABLE 1/8 X 104.25 RH THRDS (RED)	
6	17154	2	CABLE 1/8 X 104.25 LH THRDS (GREEN)	
7	17155	1	DECAL- MX3 WET LIFT WARNING	
8	17156	8	INSERT- 1/4-20 X 1/2 WELLNUT	
10	11261	1	TIE- WIRE 6in	
11	17157	2	TURNBUCKLE- 1/4-20 X 4-3/4	
12*	11368	4	WASHER- 5/16 FLAT STNLS	
	17152	1	INSTRUCTIONS- MAX3000 WET LIFT (NOT SHOWN)	

* ONLY SOLD IN MULTIPLES OF 100

MAXIM 3000® WET MARINE LIFT KIT



REV C ITEM #	PART#	QTY PER UNIT	DESCRIPTION	PRICE EACH
	20360	1	KIT- MX3 WET LIFT MARINE STNLS	
1	20351	1	BAR- MX3 WET LIFT SPREADR GALV	
2	13216	8	BOLT- 1/4-20 X 3/4 SLOT PNHD	
3	17150	4	BOLT- 5/16-18 X 2-1/2 PLTD HEX	
4	20353	2	CABLE- 5/32 X 104.25 RH STNLS	
5	20352	2	CABLE- 5/32 X 104.25 LH STNLS	
6	17148	1	CABLE ASSY- WET LIFT	
7	17155	1	DECAL- MX3 WET LIFT WARNING	
8	17156	8	INSERT- 1/4-20 X 1/2 WELLNUT	
9	17152	1	INSTRUCTION- MX3 WET LIFT (NOT SHOWN)	
10	20354	2	TURNBUCKLE- 1/4-20 X 4-3/4 SS	
11	11261	1	TIE- WIRE 6in	
12*	11368	4	WASHER- 5/16 FLAT STNLS	

* ONLY SOLD IN MULTIPLES OF 100

GLOBAL II™ MAJOR ASSEMBLY

Consult your Area Manager at:

Tel: 1-800-883-1123 (US & Canada) Fax: 1-800-328-3334 (US & Canada) Español: 1-877-452-1187

Website: www.satelliteindustries.com

MIRROR

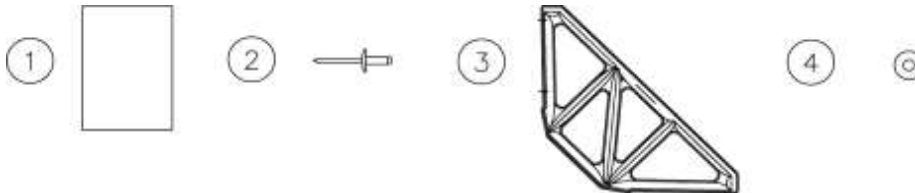
Can be use with

TUFWAY- TAURUS- MAXIM 2000- MAXIM 3000- HIGH TECH I- GLOBAL- GLOBAL 1.5-
FREEDOM 3 AND LIBERTY RESTROOM MODELS



REV F	PART#	QTY PER UNIT	DESCRIPTION	PRICE EACH
	17378		KIT- MIRROR 4 X 6 STNLS	

TUFWAY® SHELF



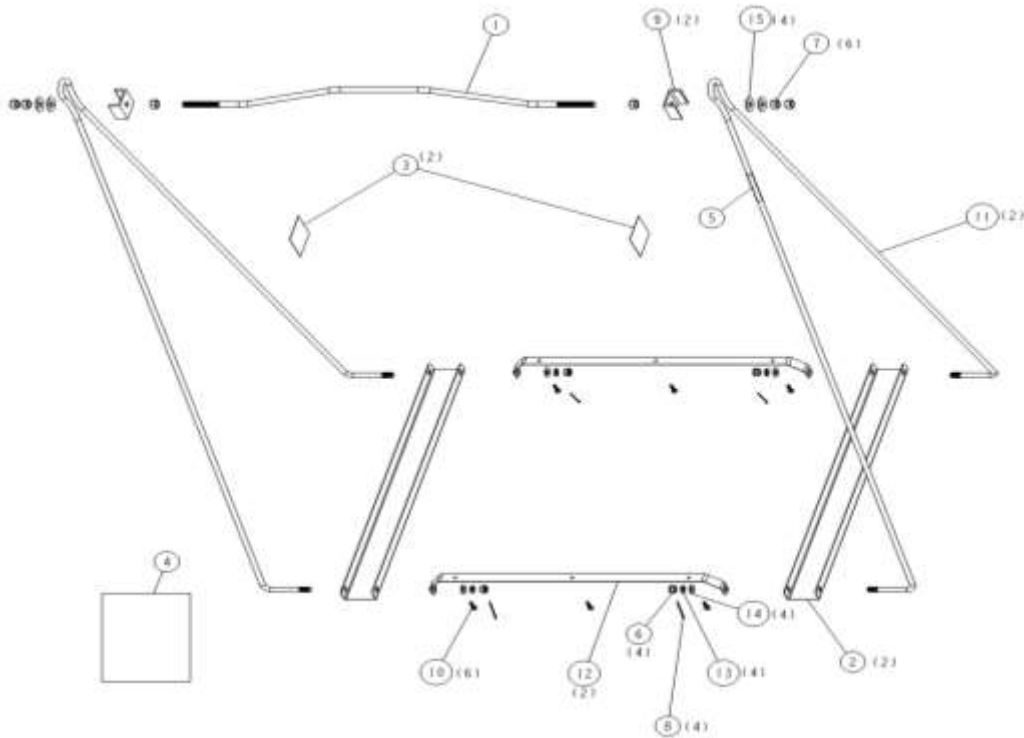
REV C ITEM #	PART#	QTY PER UNIT	DESCRIPTION	PRICE EACH
	17371		KIT- TUFWAY SHELF	
1	17455		INSTRUCTIONS- TUFWAY SHELF	
2*	11030	4	RIVET- #66 AAL POP	
3	16075	1	SHELF- MX2 & TUFWAY	
4*	11315	2	WASHER- 3/16 RIVET STNLS	

* ONLY SOLD IN MULTIPLES OF100

2X WET LIFT KIT

ROTO & UNIVERSAL BLOW BASE (TUFWAY – MAXIM 2000 – MAXIM 3000 & GLOBAL)

Cannot be used with Dirt Buster Base



REV D ITEM #	PART#	QTY PER UNIT	DESCRIPTION	PRICE EACH
	22370	1	KIT- 2X RESTROOM WET LIFT	
1	16132	1	BAR- HIGH RISE II SPREADER PLT	
2	22363	2	CRADLE- 2X WET LIFT	
3	22364	2	DECAL- 2X WET LIFT	
4	22365	1	INSTRUCTIONS- 2X WET LIFT (NOT SHOWN)	
5	22371	1	NAME PLATE- 2X REST WET LIFT	
6*	22367	4	NUT - 5/8-11 SLOTTED HEX	
7*	10767	6	NUT- 5/8 NC	
8	10851	4	PIN- 1/8 COTTER STNLS	
9	10263	2	RETAINER- HIGHRISE HANGER	
10*	13860	6	SCREW- #14 X 1-1/2 W/WSH GOLD	
11	16129	2	SLING- HIGH RISE II PLTD	
12	22368	2	STRAP- HIGH RISE HANGER PLTD	
13*	12390	4	WASHER- 3/4 FLAT	
14	22369	4	WASHER- 5/8 FLAT	
15*	11366	4	WASHER- 5/8 LOCK	

* ONLY SOLD IN MULTIPLES OF 100